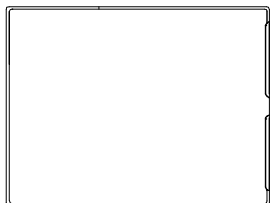
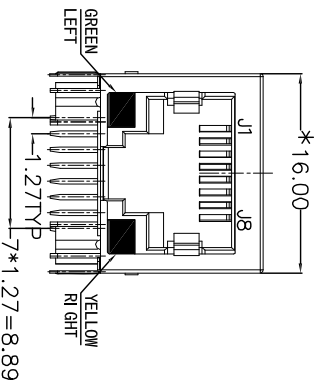


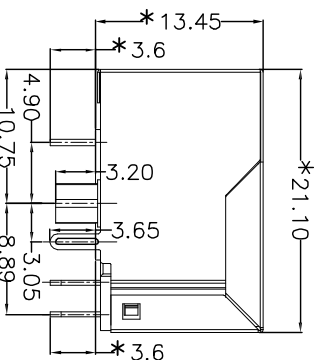
客户确认	
日期	



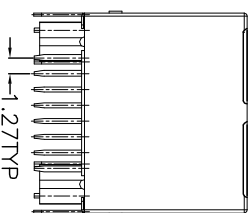
TOP VIEW



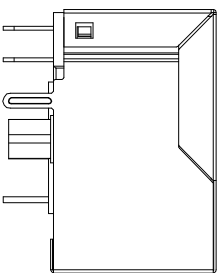
FRONT VIEW



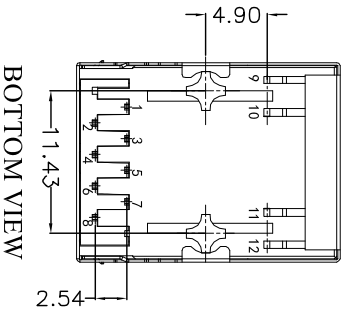
RIGHT SIDE VIEW



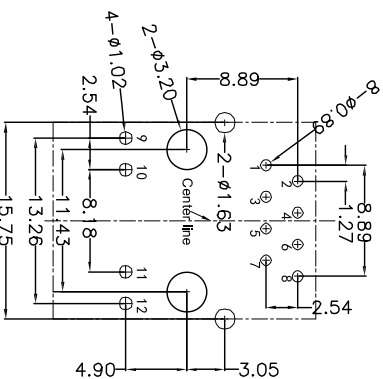
BACK VIEW



LEFT SIDE VIEW



BOTTOM VIEW



RECOMMENDED PCB LAYOUT
VIEWED FROM COMPONENT SIDE

MATERIAL:

HOUSING: PBT, UL94V-0, BLACK.
 TERMINALS BRACKET: PBT, UL94V-0, BLACK.
 SHIELD: C2680, T=0.20MM, NICKEL PLATING ON ALL AREA.
 TERMINAL: PHOSPHOR BRONZE C5210, T=0.35MM,
 6U" GOLD PLATING ON CONTACT AREA.

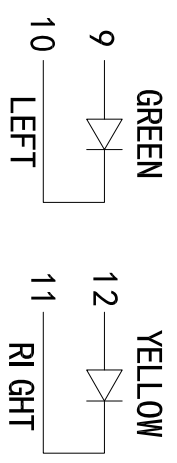
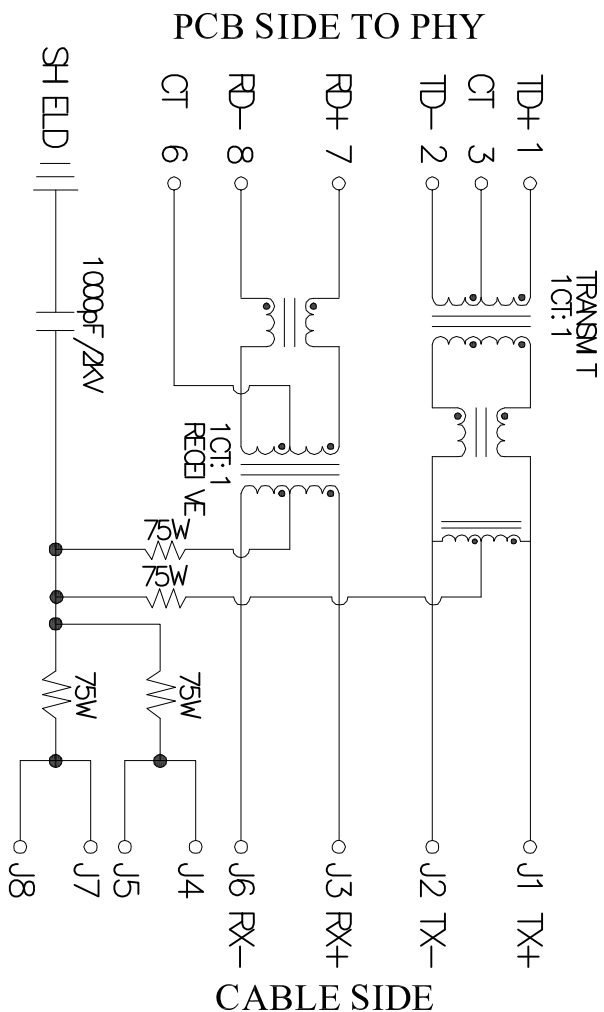
MECHANICAL:

DURABILITY: 750 CYCLES MIN.
 MATING FORCE: 23N MAX.
 OPERATING TEMPERATURE: 0°C~+70°C.
 STORAGE TEMPERATURE: -40°C~+85°C.
 ALL CRITICAL DIMENSIONS WITH "mm"

APPROVED:	DATE:	深圳市灿科盟实业有限公司 CHANKEMENG INDUSTRY CO., LTD
CHECKED:	DATE:	
DRAWN:	DATE:	TITLE: 百兆网口 RJ45-10P/8C TAB-Down H=21.1 带灯 无弹 带滤波器 十字脚
L. YUN	2020-05-21	CLIENT P/N: R-RJ45R08P-D005 UNIT: mm SCALE: free FILE NO: Ckmtw-RJ45-0261 REV: A KYD0

TOLERANCE TABLE	
.0	±0.30
.00	±0.20
.000	±0.05

客户确认	
日期	



Electrical:

1. Turn ratio: 1~2: J1~J2=1 CT:1 CT(±2%), 7~8: J3~J6=1 CT:1 CT(±2%).
2. OCL: 350µH Min. at 100KHz 100mV 8mA DC.
3. Insertion Loss: -1.0 dB Max 1~100MHz.
4. Return loss: -20dB Min 1~10MHz; -16dB Min 10~30MHz; -12dB Min 30~60MHz; -10dB Min 60~80MHz.
5. Cross talk: -40dB Min 1~30MHz; -35dB Min 30~60MHz; -30dB Min 60~100MHz;
6. CMR: -30dB Min 1~100MHz;
7. Hi-Pot: 1500V AC & 2250V DC
6S 1 mA PRI TO SEC

LED Specification

Standard LED Color	LED Wavelength	Forward(A)	Forward(V)
Green	568nm	20mA	1.85-2.45V
Yellow	585nm	20mA	1.7-2.2V

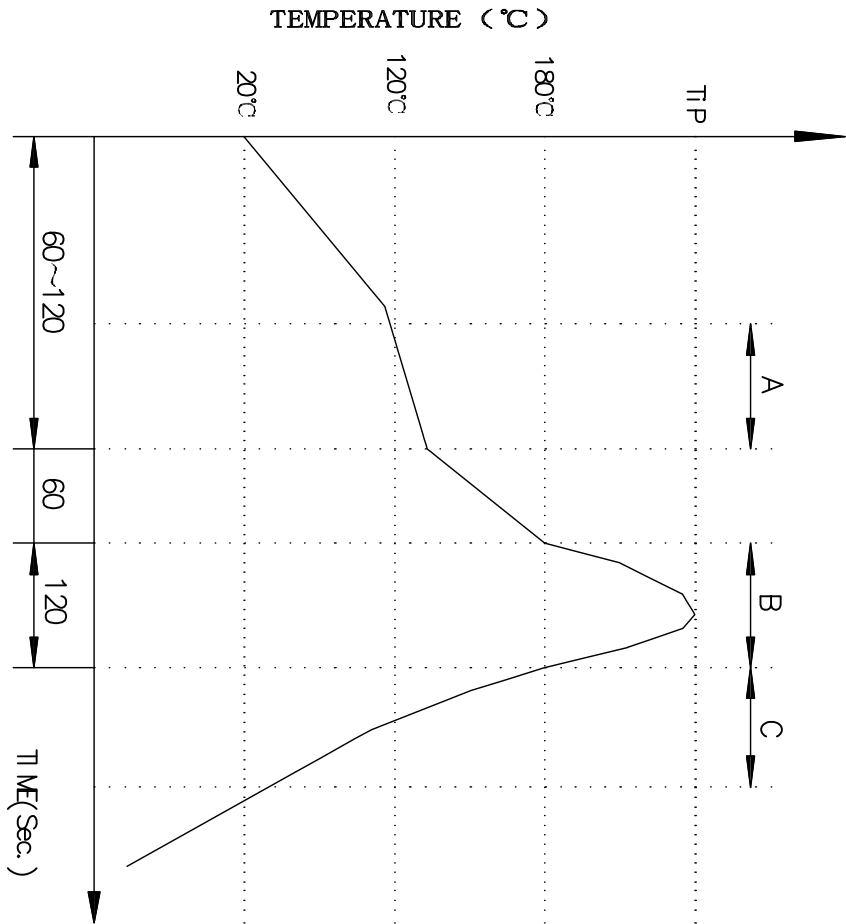
APPROVED:	DATE:	TITLE: 深圳市灿科盟实业有限公司 Ckmtw CHANKEMENG INDUSTRYCO., LTD	
CHECKED:	DATE:	H=21.1 带灯 无弹 带滤波器 十字脚	
DRAWN:	DATE:	CLIENT P/N	R-RJ45R08P-D005
L. YUN	2020-05-21	UNIT	mm
		SCALE	free
		FILE NO.	Ckmtw-RJ45-0261
		REV.	A
			KYD0

TOLERANCE TABLE

.0	±0.30
.00	±0.20
.000	±0.05

客户确认	
日期	

PROFILE OF WAVE SOLDER



A. Preheating B. Soldering C. Gradual Cooling
 Tip temperature: $260 \pm 5^\circ\text{C}$.
 Tip temperature time: 5Sec Max.
 Tip melting point of Sn96.5/Ag3/Cu0.5: 217°C .

Remarks: after wave soldering, the plastic position columns of the product which under the PCB will be slightly melted, but it won't affect its function.

APPROVED:	DATE:	TITLE: 深圳市灿科盟实业有限公司 Ckmtw CHANKEMENG INDUSTRYCO., LTD	
CHECKED:	DATE:	H=21.1 带灯 无弹 带滤波器 十字脚	
DRAWN:	DATE:	CLIENT P/N	R-RJ45R08P-D005
L. YUN	2020-05-21	UNIT	mm
		SCALE	free
		FILE NO.	Ckmtw-RJ45-0261
		REV.	A KYD0
TOLERANCE TABLE			
.0	± 0.30		
.00	± 0.20		
.000	± 0.05		